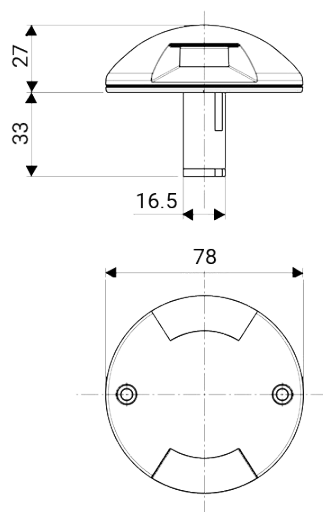


SQUEEZE 77 2x EMISSION LED 3W — 24V

1454



Outdoor walk-over luminaire for ground surface installation
Max. load pressure 500 kg
Material: low copper content die-cast aluminium
Diffuser: UV resistant opal polycarbonate
PWM dimmable with dedicated external driver, compliant with EN 61347-2-13 Standard, to be ordered separately
External 24V DC driver for parallel connection, compliant with EN 61347-2-13 Standard, to be ordered separately
Light source: LED unit / Side emitter optic to direct the light along the ground surface
Anticorodal anodized aluminium cable gland with watertight internal resin coating - AQUASTOP system / Luminaire supplied with 1,5 m polyurethane buriable cable 2x0,8
Stainless steel screws
Finish with double painting after anti-corrosion treatments: epoxy-based primer and polyester powder coating
On request versions (additional code):
MT7 7 m cable length

Dimensions	Ø 78 x H 27 mm
Light Source	LED
Multiple Sources	2x
Power	3 W
Voltage/Frequency	24V DC
Light output source	300 lm
LUMEN OUTPUT	126 lm
System efficiency	42 lm/W
Color Rendering Index – CRI	≥80
LED energy class	D
Electrical insulation class	Class III
IP rating	IP 67
Impact resistance rating	IK 10 (20 joules)
Norms	EN 60598-1 +2-1
Weight	0.23 kg
Certifications	CE UK CA

CODE OPTIONS

FINISH

AG ALUMINIUM GREY
AN ANTHRACITE

on request:

CO CORTEN
BR BRONZE

COLOUR TEMP.

27K 2700K
3K 3000K
4K 4000K

OPTIC

standard 70°



SQUEEZE 77 2x EMISSION LED 3W — 24V

1454

ACCESSORIES

ACCESSORIES
24V CONTROL GEAR

A small, rectangular, light-colored electronic component with two wires extending from one end.

1924

ACCESSORIES
24V CONTROL GEAR

A small, rectangular, light-colored electronic component with two wires extending from one end.

1925

ACCESSORIES
PWM DRIVER

A small, rectangular, dark-colored electronic component with two wires extending from one end.

1953