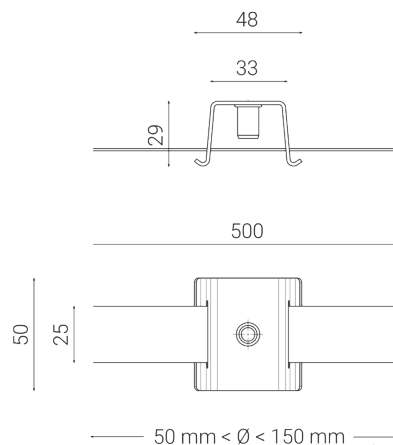
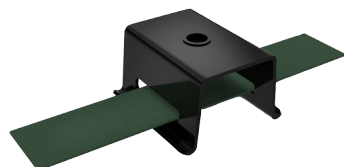


DART SPOT STRAP

1601



Strap for application on trees

Dimensions	H 25 x H1 50 x L 500 mm
Weight	0.12 kg
Conformity	CE UK CA

DART SPOT STRAP

1601



FIXTURES RELATED

