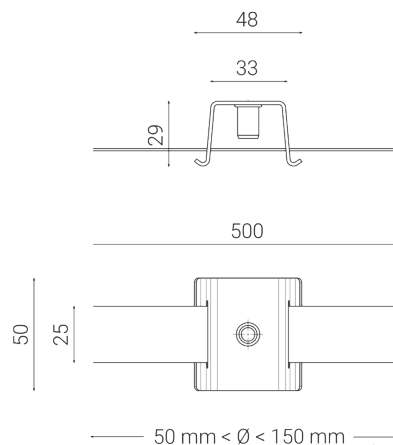
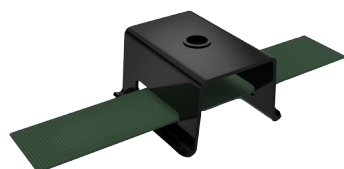


# DART SPOT SANGLE

1601



Sangle de fixation pour arbres

Dimensions	H 25 x H1 50 x L 500 mm
Poids	0.12 kg
Conformité	CE UK CA

# DART SPOT SANGLE

## 1601



### PRODUTTS ASSOCIÉS

<p>DART SPOT Ø 16</p>  <p>1610</p>	<p>DART SPOT Ø 19</p>  <p>1611</p>	<p>DART SPOT Ø 27</p>  <p>1612</p>	<p>DART SPOT Ø 27</p>  <p>1613</p>
<p>DART SPOT Ø 30</p>  <p>1614</p>	<p>DART SPOT Ø 30</p>  <p>1615</p>	<p>DART SPOT Ø 46</p>  <p>1616</p>	<p>DART SPOT Ø 46</p>  <p>1617</p>
<p>DART SPOT Ø 49</p>  <p>1619</p>			